

TOP-OF-POLE MOUNTS



DP&W Top-of-Pole Mounts are available in several sizes ranging from 1-module through 24-modules. The rack design is determined by the area of module to be mounted; not necessarily the number of modules. This sheet describes our standard line of mounts. DP&W specializes in custom design and fabrication and can build mounts to meet your exact needs.

SPECIFICATIONS

MATERIALS

Strongbacks, Elevation Pivots and Mounting Sleeves are made of heavy gauge steel flat bar, square tubing and pipe or mechanical tubing conforming to ASTM A36 and ASTM A500-Grade B. All parts are mig-welded, burrs are removed, corners are coped and edges are sanded. Steel parts are coated with a minimum of two coats of industrial urethane enamel.

Module Rails are made of mill-finish 6061-T6 structural aluminum angle. All holes are deburred and edges are coped and sanded.

Stainless steel module mounting hardware is provided with each rack. Standard rack assembly hardware is zinc-plated Grade 5.

ELEVATION ANGLE ADJUSTMENT

Standard Top-of-Pole Mounts have six tilt-angle settings. These positions are positive locking to avoid the possibility of slippage. The racks are balanced about the pivot bolt to make adjustment easy. Other tilt combinations and racks welded at fixed angles are offered as options.

WINDLOADING CAPABILITY

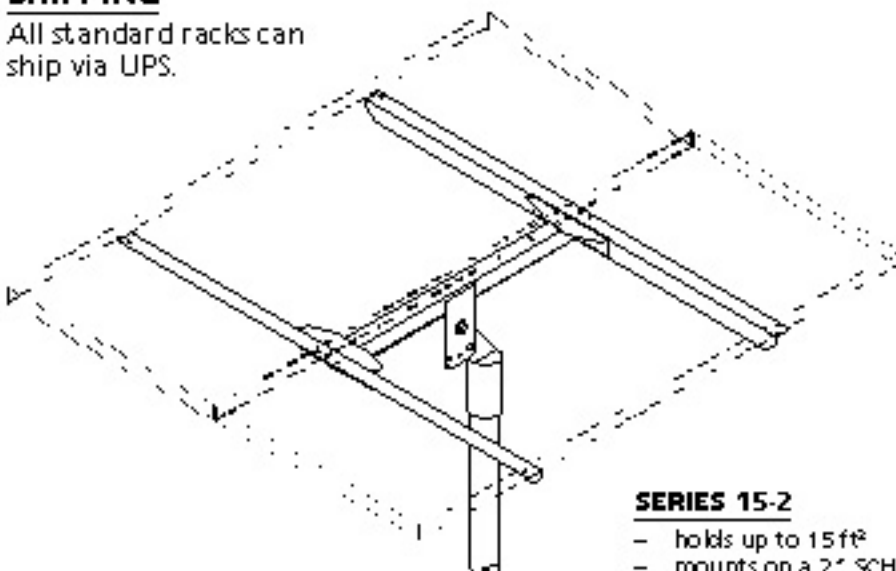
Standard models are designed and warranted to withstand windloads of 30 lbs./ft² (approximately 90 mph). Designs capable of withstanding greater loads are available for high-wind areas.

MOUNTING

All racks have sleeves sized to slip over readily-available standard sizes of installer-supplied SCH40 steel pipe. The mounting sleeves have set bolts spaced 90° apart to firmly secure the rack to the pole.

SHIPPING

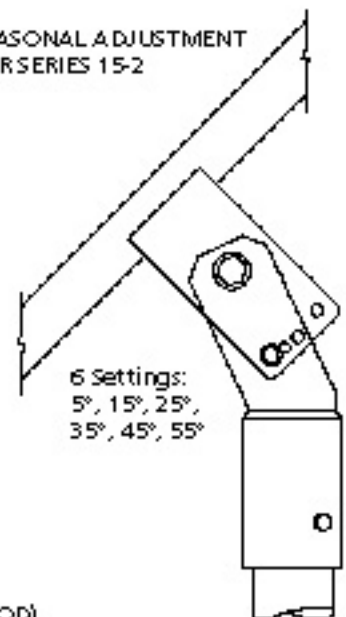
All standard racks can ship via UPS.



SERIES 15-2

- holds up to 15 ft²
- mounts on a 2" SCH40 pipe (2-3/8" OD)

SEASONAL ADJUSTMENT FOR SERIES 15-2



- 6 Settings:
5°, 15°, 25°,
35°, 45°, 55°